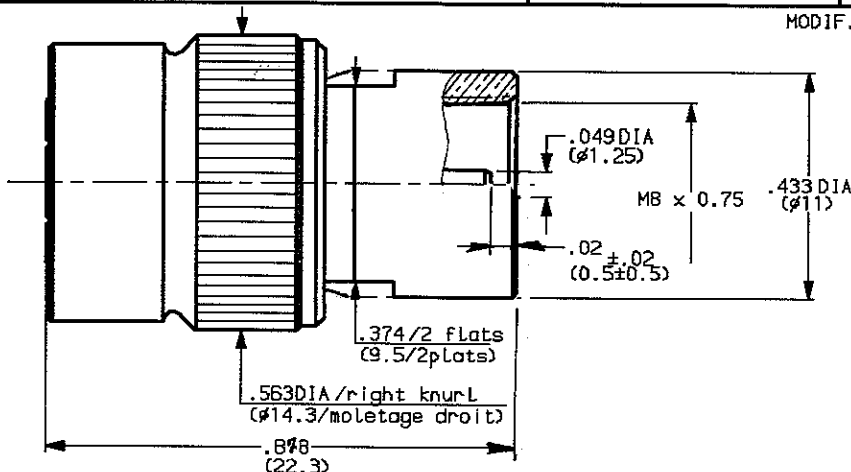


PLUG TNC

ADAPTOR EASY CONNECT.

SERIES: TNC

MODIF. PRODUIT



WEIGHT oz (g)

CABLES : -

CHARACTERISTICS

NOMINAL IMPEDANCE	50 Ω
FREQUENCY RANGE	0-1 GHz
TEMPERATURE RATING	-55/+100 °C
VSWR	NA Max
RF INSERTION LOSS	NA /F dB Maxi
VOLTAGE RATING	500 Vrms Maxi
DIELECTRIC WITHSTANDING VOLTAGE	1500 Vrms mini
INSULATION RESISTANCE	5000 Mo mini
HERMETIC SEAL	NA cc/s Atm.cm3/s
LEAKAGE (pressurized only)	NA psi MPa
-	-
-	-

STANDARDISATION

CABLE RETENTION	NA	Lb mini N
CENTER CONTACT RETENTION		
Axial force - mating end	6.075	Lb mini N
Axial force - opposite end	NA	Lb mini N
Torque (Min)	NA	Inch.oz cm.N
RECOMMENDED TORQUES		
Mating	NA	inch.Lb cm.N
Panel nut	NA	inch.Lb cm.N
Clamp nut	NA	inch.Lb cm.N

CONSTRUCTION

CONNECTOR PARTS	MATERIALS	FINISH
BODY	BRASS	NICKEL
OUTER CONTACT	BRASS	NICKEL
CENTER CONTACT	BRASS	GOLD
INSULATORS	POLYPROPYLENE	-
COUPLING NUT	BRASS	NICKEL
-	-	-
-	-	-
-	-	-
-	-	-

ISSUE	REVISION No	DESCRIPTION	BY	DATE
9117	97.03.007	Coupling NUT ZAMAK → BRASS	BERNET	21.04.97
9323	92.06.020	changed body	BERNET	10.6.93
9306	.	Coupling nut BRASS → Zamak	BERNET	11-2-93
9252	.	NEW VERSION PTFE → POLYPROPYLENE	DERIES	22-12-92

Initiated on 10-DEC-90
Superseded on -----

The information given here is subject to change without notice. Design changes may be in order to improve the product.

